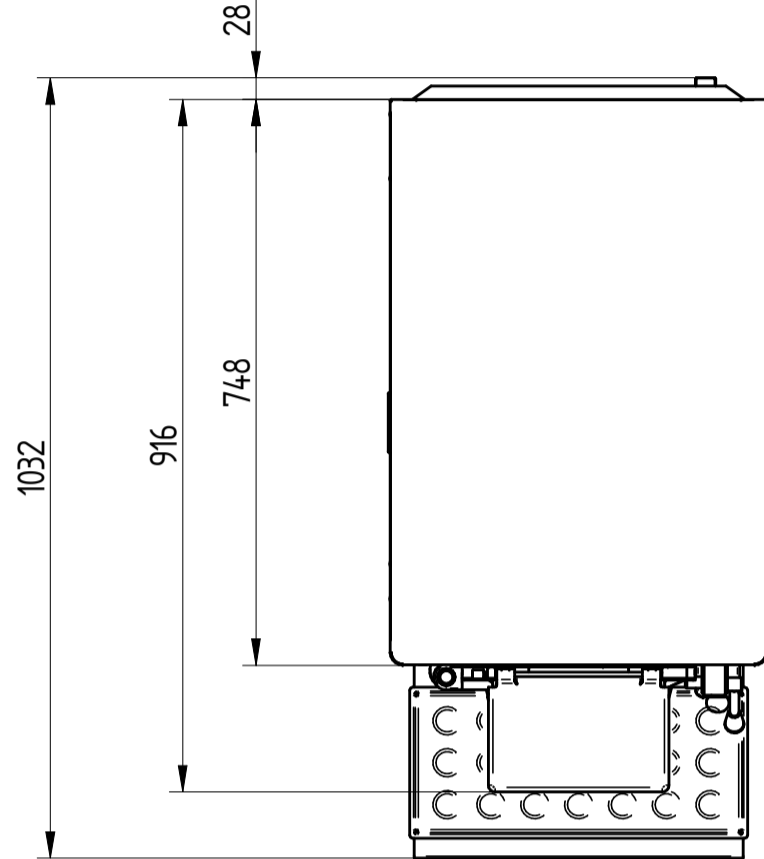
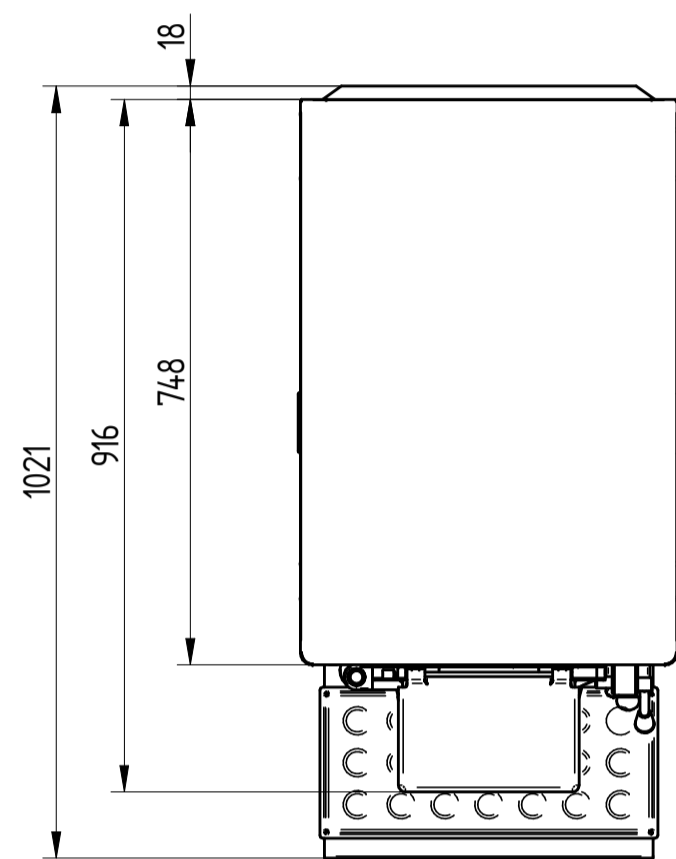


STARGEL 8

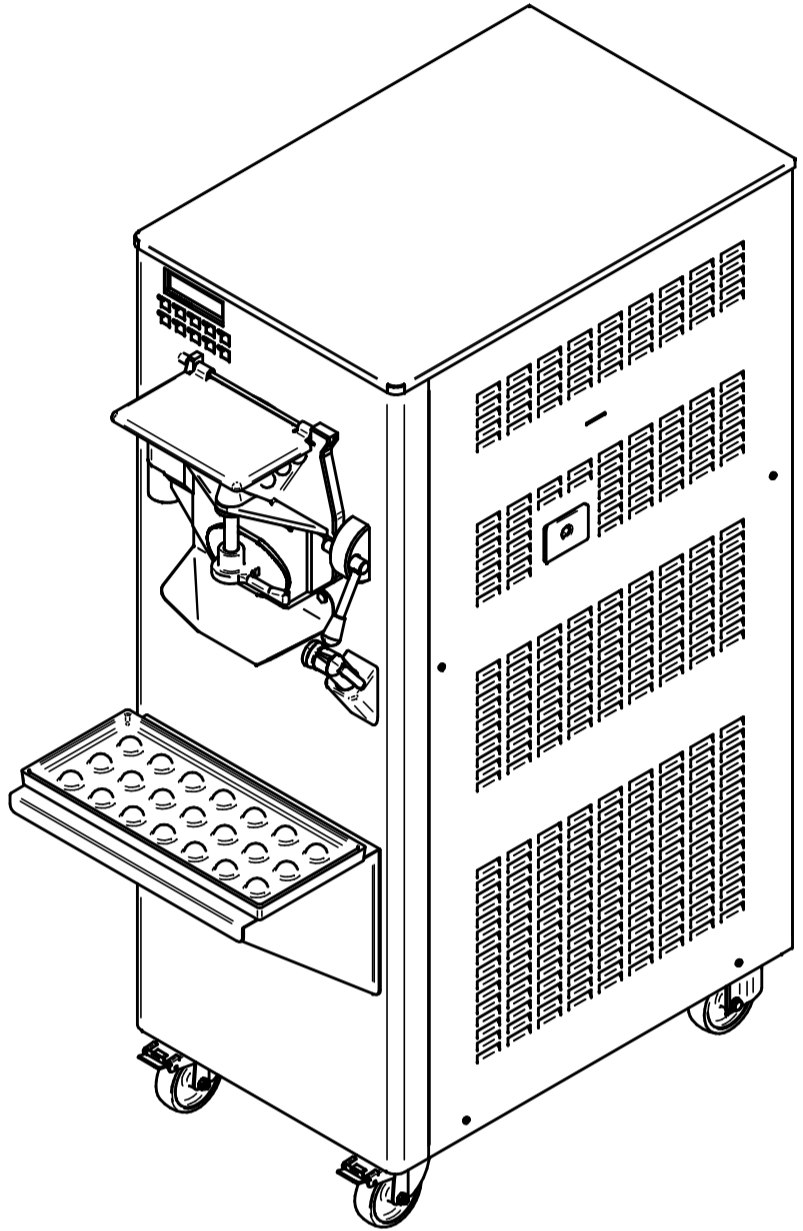
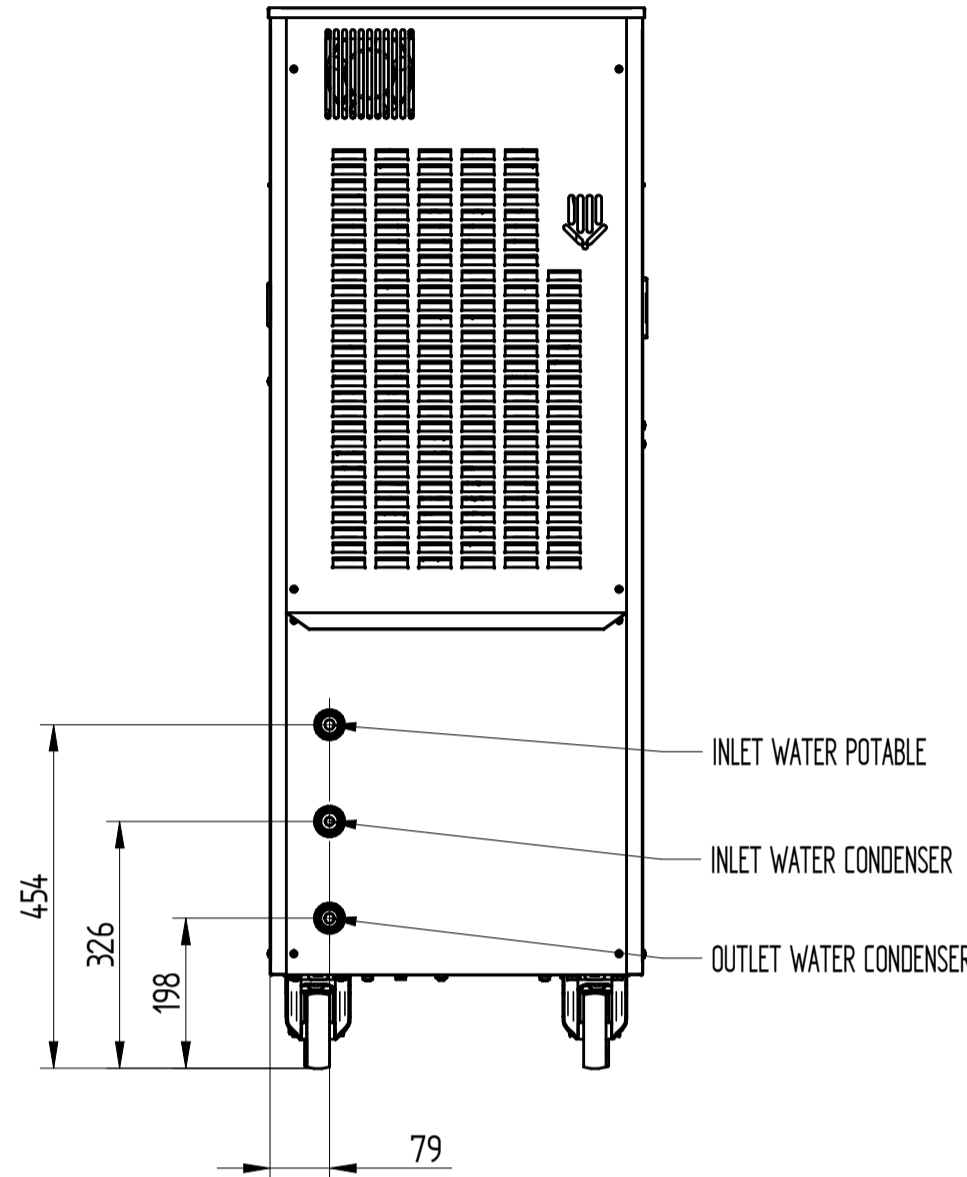
UPPER VIEW WATER VERSION



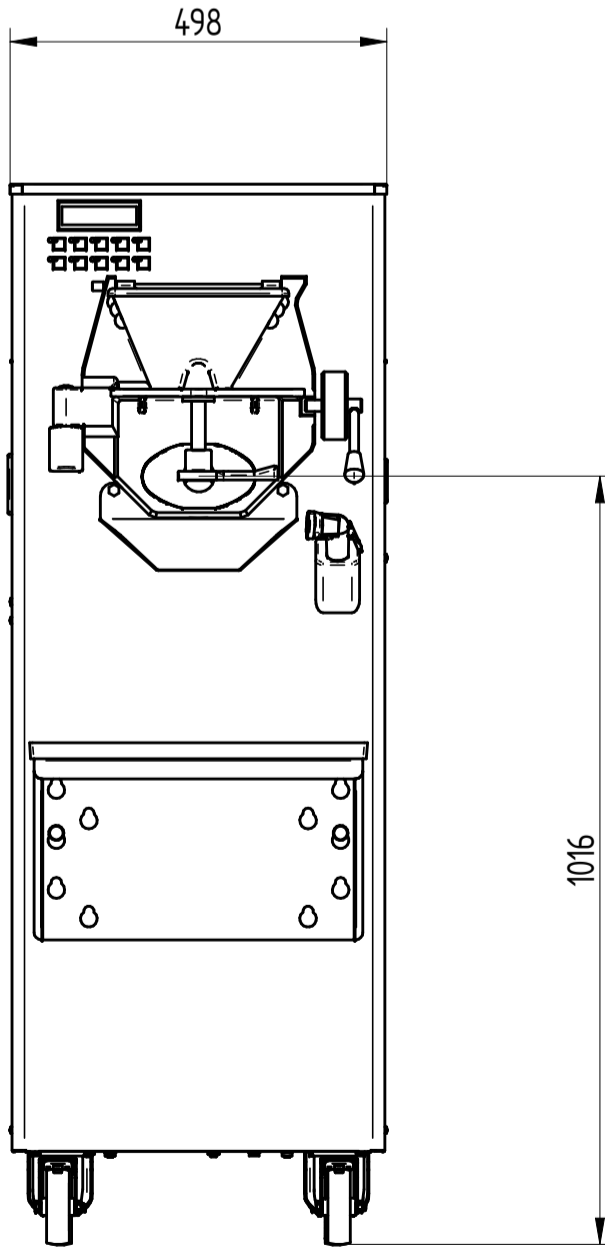
UPPER VIEW AIR VERSION



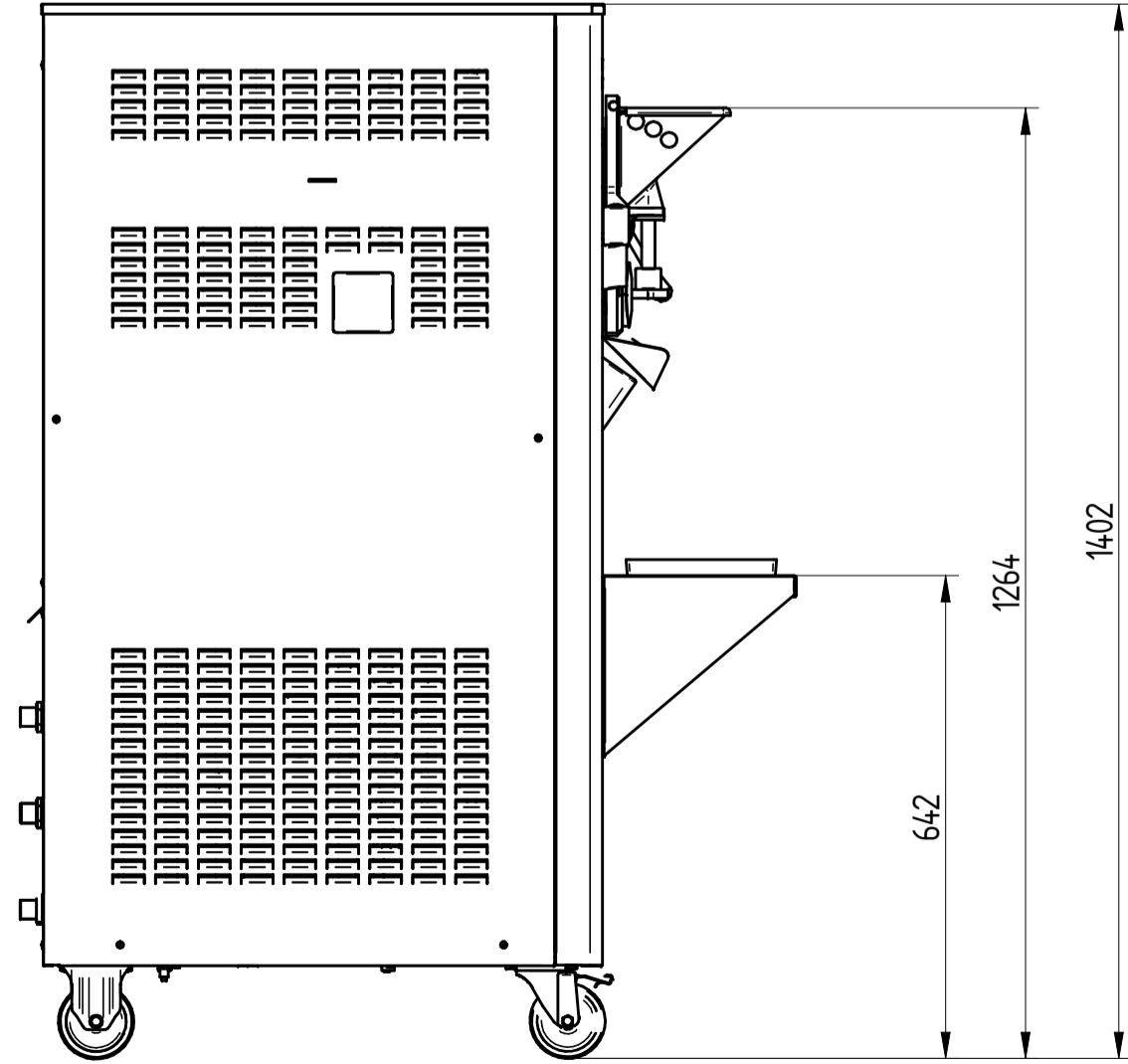
REAR VIEW WATER VERSION



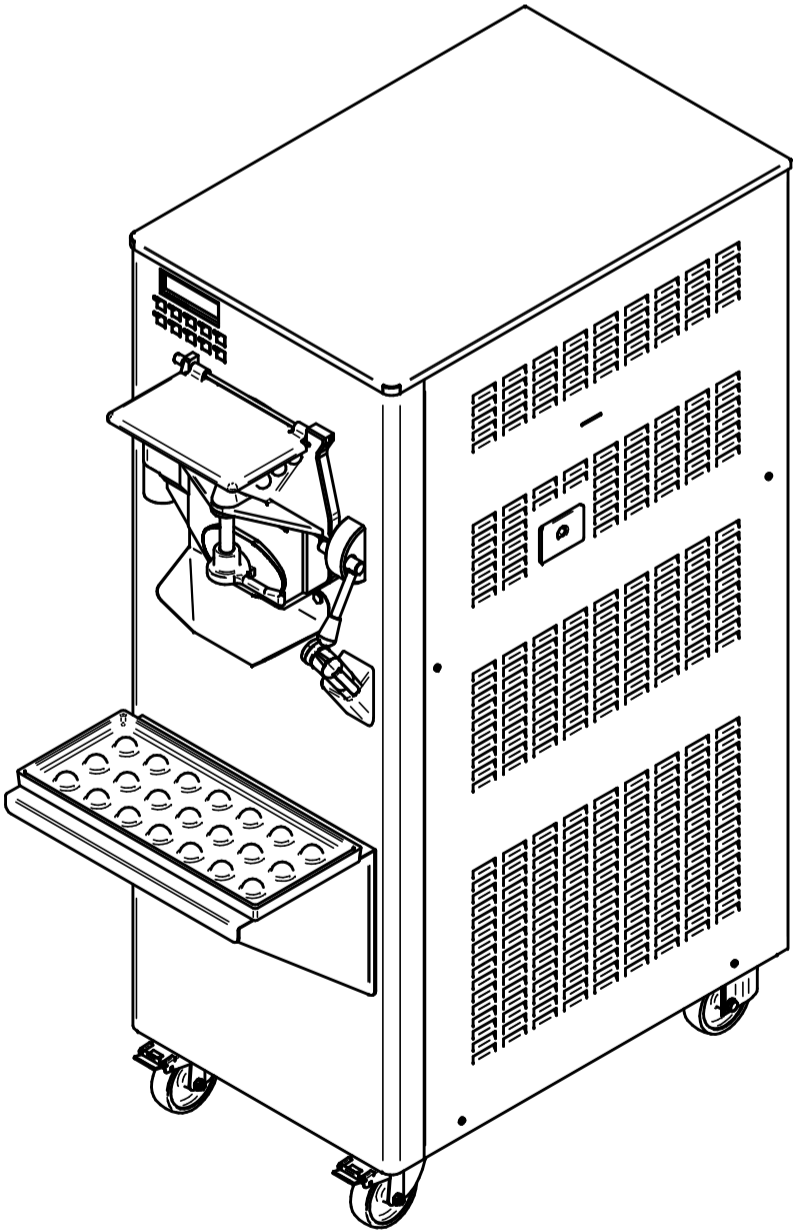
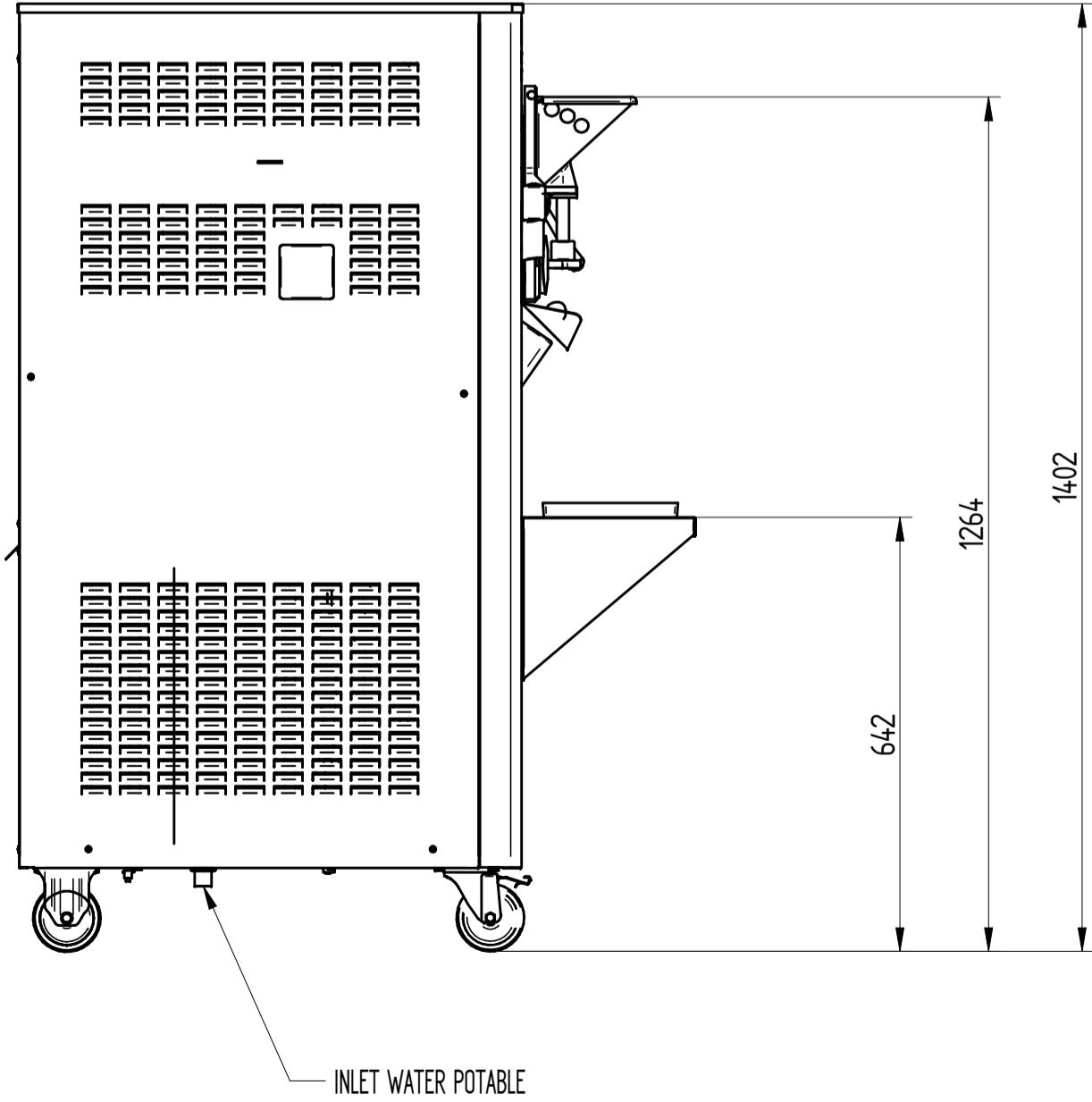
FRONT VIEW



LEFT SIDE VIEW WATER VERSION



LEFT SIDE VIEW AIR VERSION



DATE	REV.
06/12/2016	00